


AS SERIES - THERMAL RELAY TYPE-

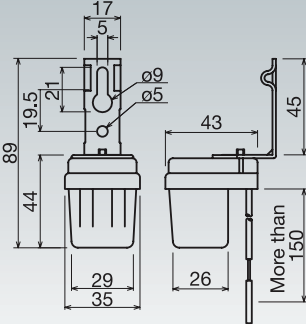
**Lead-in Type
3A/6A
Type**

MADE IN JAPAN



IP33

Dimensions




AS-1103A (110V, 3A)
AS-2203A (220V, 3A)
AS-2403A (240V, 3A)

AS-1106A (110V, 6A)
AS-2206A (220V, 6A)
AS-2406A (240V, 6A)

ON: 10-80 lx OFF: Not more than 400 lx

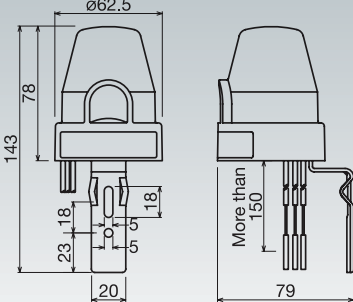
**Lead-in Type
EC Type**

MADE IN JAPAN



IP43

Dimensions




AS-2203EC (220V, 3A)
AS-2206EC (220V, 6A)

ON: 10-80 lx OFF: Not more than 400 lx

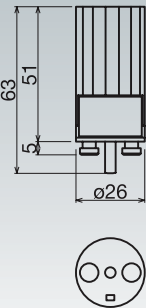
**Built-in Type
P Type**

MADE IN JAPAN



Suitable for the use in street lights, vending machines, etc.

Dimensions



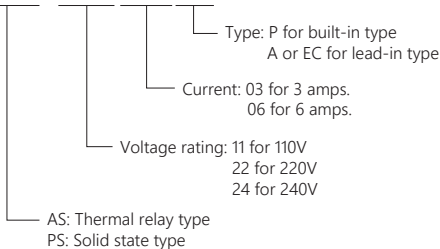
AS-2403P3 (240V, 3A)

ON: 10-31.5 lx OFF: 40-140 lx

TYPE NUMBER

Type number symbolizes the rating and performance.

AS-2203A



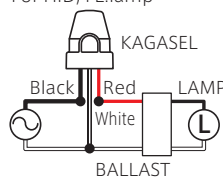
HOW TO CONNECT PHOTO CONTROLS

Lead wire black to electric power source

Lead wire white to common

Lead wire red to lamp (load)

For HID, FL.lamp



For incandescent lamp, LED

