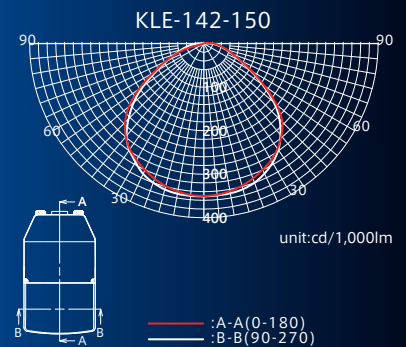
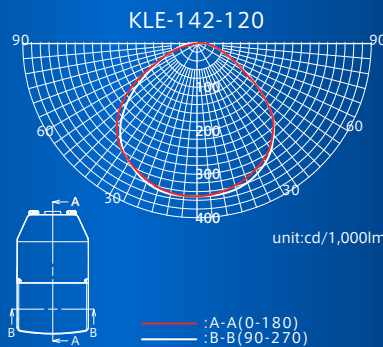
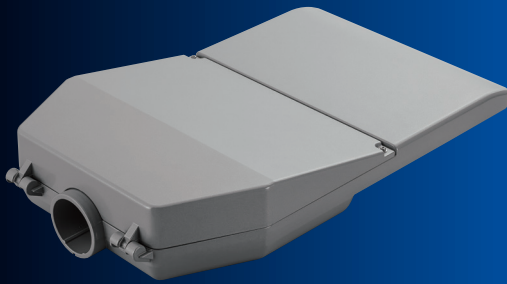


LED Street Lights

LEDEEMA

KLE-142-120/150



KLE-142-120/150 Specification

Reference

Model Name	Lamp	Housing	Cover	Standard Color	Weight (kg)	Voltage (V)	Input Current (A)	Power Consumption (W)	Luminous Flux (lm)	Luminous Efficiency (lm/W)	Lamp Life (hr)	Color Temperature (K)	Withstand Voltage Surge (kV)
KLE-142-120	LED2W-type x 56	ADC	Acrylic Resin	Metarllic Silver	8.3	230	0.53	120	15,800	131	60,000	5,000	15 ※ 1
KLE-142-150	LED2W-type x 68	ADC	Acrylic Resin	Metarllic Silver	8.3	230	0.66	150	18,790	125	60,000	5,000	15 ※ 1

★ Light control is not equipped.

※ 1 : Common mode (line to ground) / Tested according to IEC 61000-4-5

<http://www.kaga-bouhantou.jp/en/>

KAGA, INC.

Head Office

Iwaodaiwa Building 6F, 11-10 Nihombashikoami-cho, Chuo-ku, Tokyo, 103-0016, Japan.

Phone: +81-3-6661-6341 FAX: +81-3-6661-6247

Osaka Office

Compagno Building 4F, 17-1 Enoki-cho, Suita-shi, Osaka 564-0053, Japan.

Phone: +81-6-6337-9541 FAX: +81-6-6337-9542